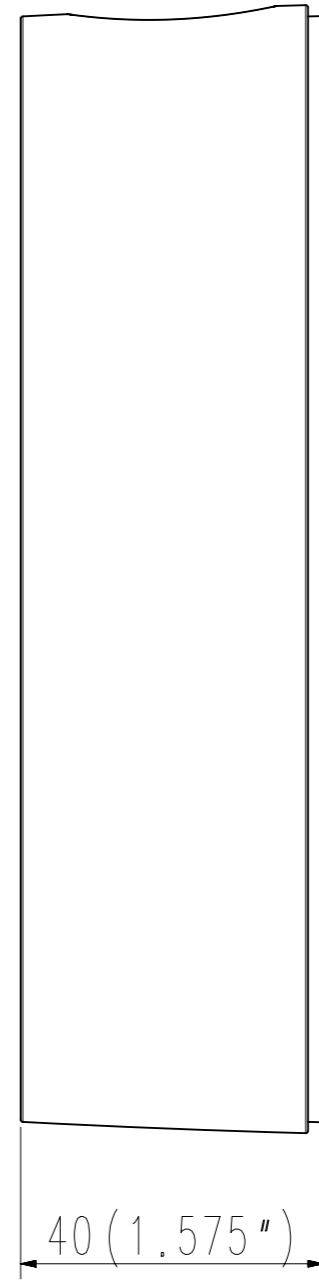
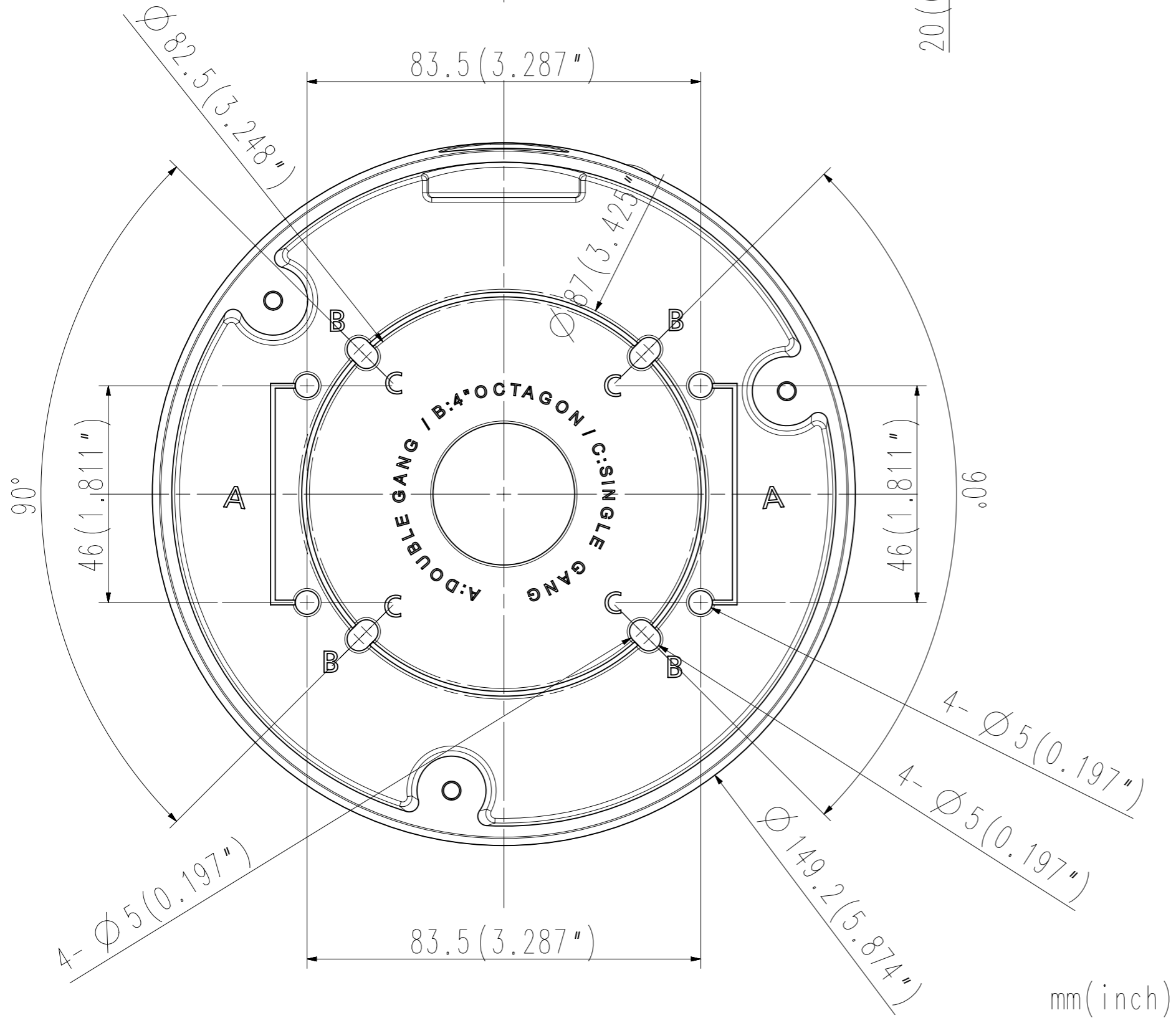


20 (0.787")



40 (1.575")

mm (inch)